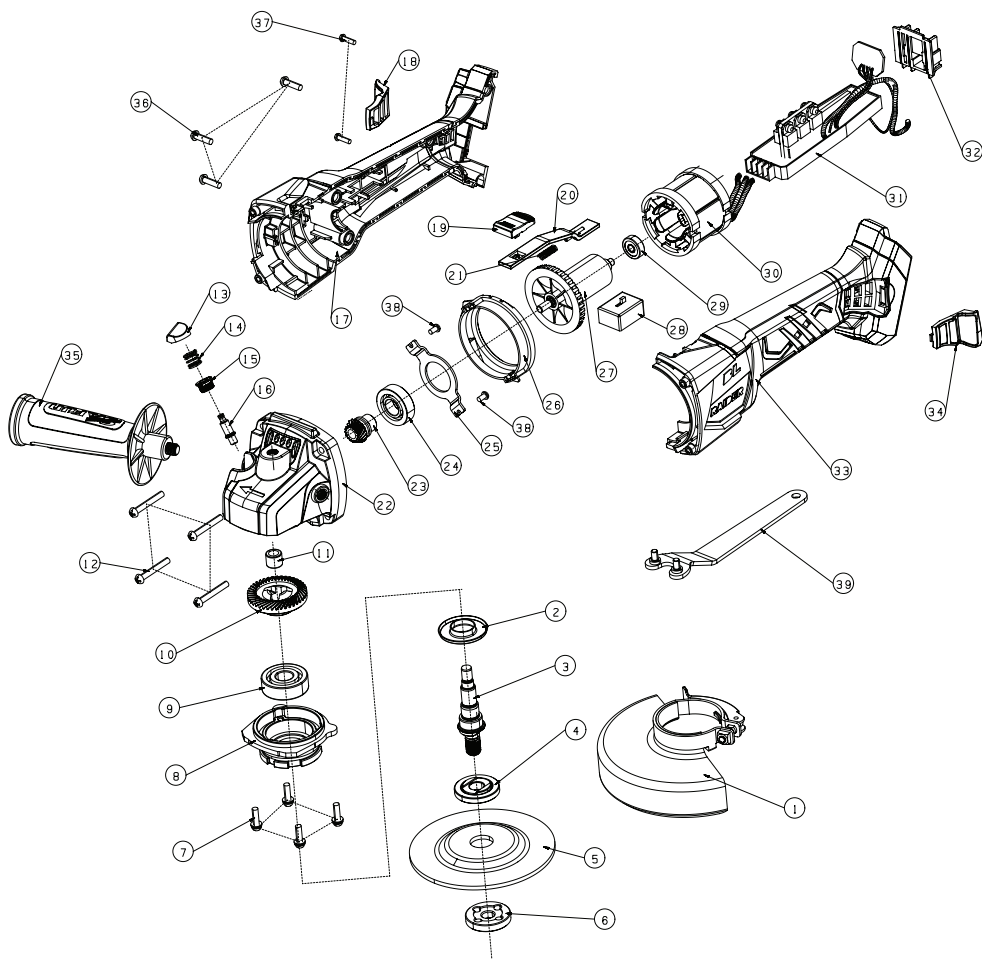


EXPLODED VIEW



SF8C203 SPARE PARTS LIST

NO.	DESCRIPTION	QTY	Note
1	disc protect cover	1	
2	dust proof cover	1	
3	M14 output shaft	1	
4	lower plate	1	
5	disc	1	
6	M14 top plate	1	
7	screw M4X14	4	M4X14
8	front cover	1	
9	bearing 6201RS	1	6201RS
10	big gear	1	
11	needle bearing HK0709	1	HK0709
12	screw M4X14 ST4.2X25	4	ST4.2X25
13	lock shaft button	1	
14	lock shaft spring	1	
15	lock shaft sleeve	1	
16	lock shaft	1	
17	left housing	1	
18	right dust proof window	1	
19	switch pushing button	1	
20	switch pull rod	1	
21	switch spring	1	
22	head cover	1	
23	small gear	1	
24	bearing 6001RS	1	6001RS
25	bearing pressing plate	1	
26	fan shroud	1	
27	rotor	1	
28	switch	1	
29	bearing 625Z	1	625Z
30	stator	1	
31	PCB board	1	
32	battery foot	1	
33	right housing	1	
34	left dust proof window	1	
35	assitant handle	1	M8
36	screw ST4.2*16	3	ST4.2X16
37	screw	2	PB3X14
38	screw M3X6	2	M3X6
39	spanner	1	